



AVK SURFACE BOX

BACfixe

80/25

211



Fixed height
Surface box for underground valves
Standard lid inscription: EAU



Type

- BACfixe
 - Round cast iron lid
 - Square top surface box



Features

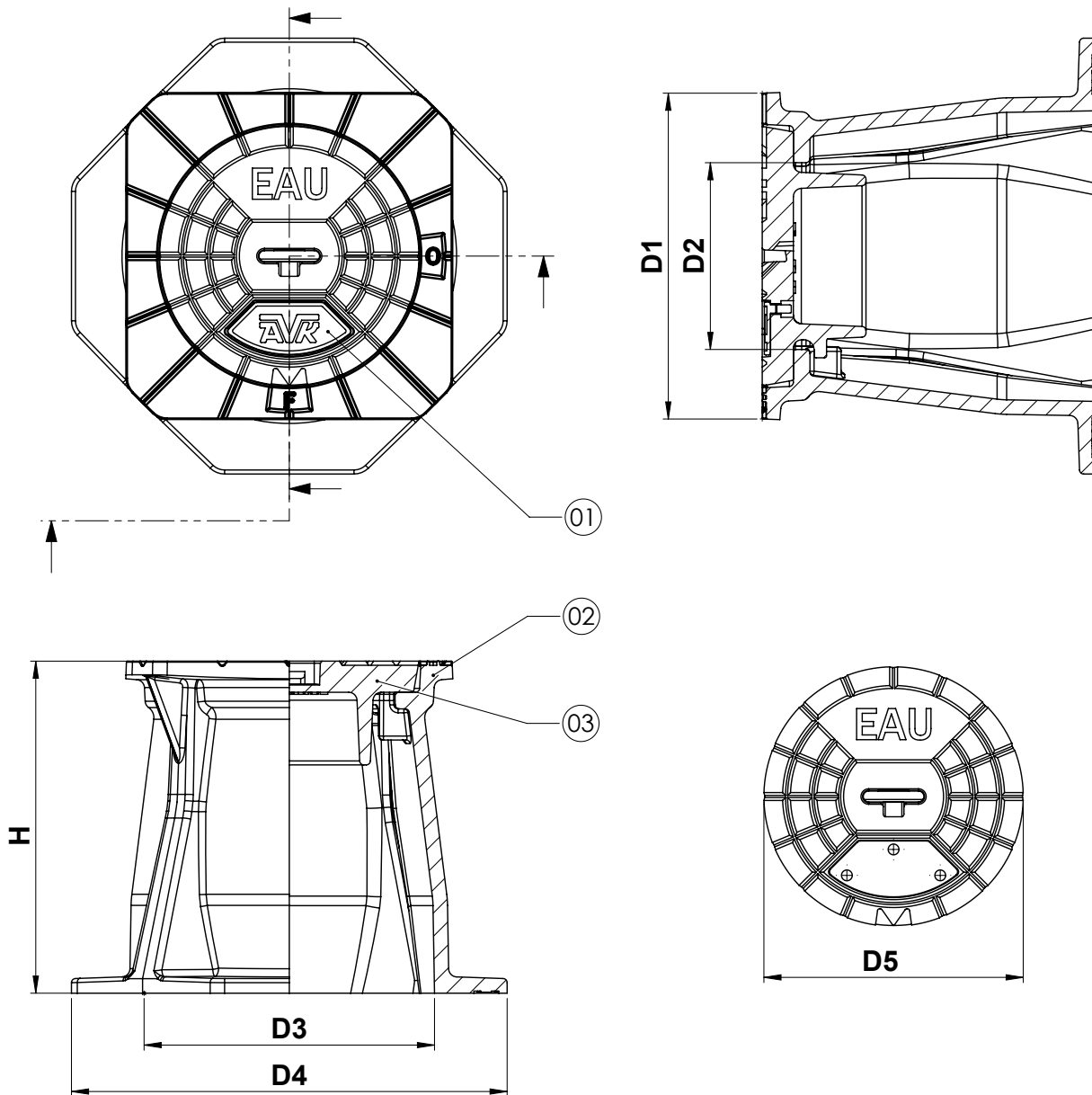
- Lightweight, user-friendly, silent and maintenance free
- Manufactured out of high grade recycled materials
- 100% recyclable and significantly less use of resources compared to traditional materials
- Selected materials for housing and lid ensure easy opening at all times
- Lid does not get stuck due to freezing or rust
- Heat resistant to max. 250 °C
- Ribs in housing ensure optimal fixation in road foundation
- Wide integrated support flange excluding the need of a support tile
- Bayonet connection between lid and housing for quick and easy operation
- Downpipe acceptance for 90 mm and 100 mm pipes due to clever product design
- No risk of the lid being sucked out when traffic passes (such as street cleaner truck) due to weight of lid and bayonet system
- Open (O) / Close (F) indicators of lid position on rim
- Prising slot in lid enables easy opening of the surface box; no blockage by debris due to conical shape
- Identification by inscription plate; multiple colours and custom inscriptions available
- Due to square top ideal solution for pavement installation

Standards

- Tested according to DVGW VP 310-2



Expect... **AVR**



Component list

| | |
|----------------------|------------|
| 1. Inscription plate | PA-GF |
| 2. Housing | PA-GF |
| 3. Lid | EN-GJL-200 |

Reference nos. and nominal dimensions

| AVK ref. nos. | D1 mm | D2 mm | D3 mm | D4 mm | D5 mm | H mm |
|---------------|---------------------|---------------------|-----------------------|----------|----------|---------|
| 80-25-2110001 | 157 | 90 | 140 | 200/210 | 125 | 160 |
| | Weight box in kg | Weight lid in kg | Total weight in kg | | | |
| | 1.1 | 1.5 | 2.6 | | | |

For other variants different item numbers apply
Dimensions are subject to tolerances