



## AVK SURFACE BOX H-4057P MD-KU

80/32  
204

Fixed height  
Special model for pavement  
Surface box for service connection valves  
Standard lid inscription: AVK W

### Type

- H-4057P MD-KU
- -Round synthetic lid
- -Square top surface box

### Features

- Lightweight, user-friendly, silent and maintenance free
- 100% recyclable and significantly less use of resources compared to traditional materials
- Manufactured out of high grade recycled materials
- Ribs in housing ensure optimal fixation in road foundation
- Selected materials for housing and lid ensure easy opening at all times
- Heat resistant to max. 250 °C
- Suitable for low-temperature applications
- Due to square top ideal solution for pavement installation
- Locking clip around the bolt ensuring lid will stay in its place
- Lid material discourages thieves; no value in stealing
- Synthetic lid enables signal transmission
- D400 load bearing capacity

### Optional

- Spring around bolt ensuring lid will stay in its place
- Various colours and lid inscriptions possible
- Available as lockable version making the surface box tamperproof

### Standards

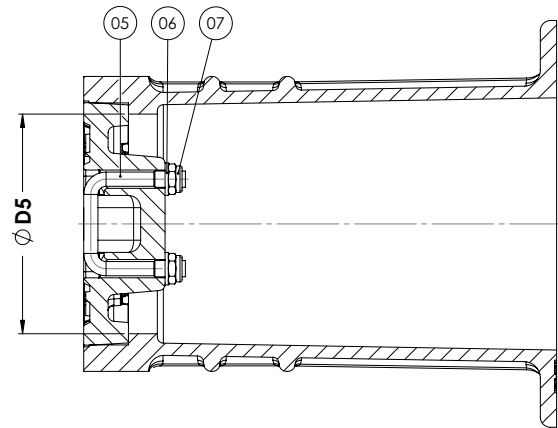
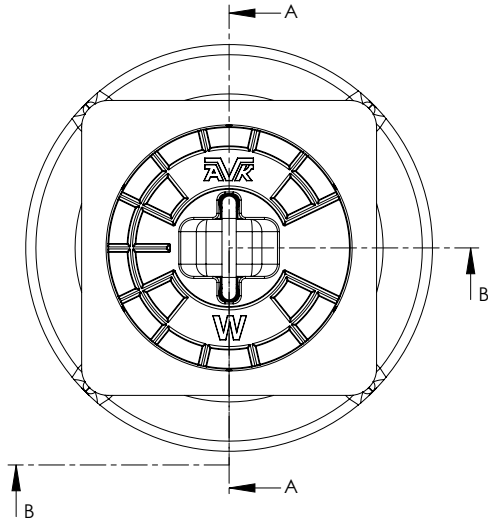
- Design derived from DIN 4057
- DVGW VP 310-2

### Accessories

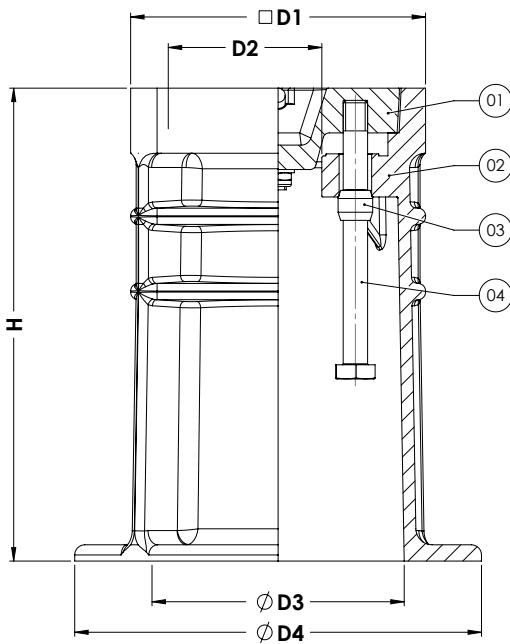
- Support tile I
- Top frame service connection



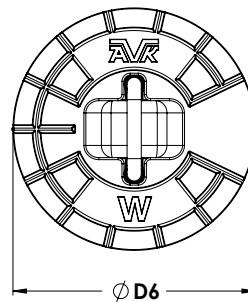
Expect... **AVR**



SECTION A-A



SECTION B-B



**Component list**

1. Lid	PP 40%GF
2. Housing	PA+
3. Locking clip	PP
4. Notched bolt M12x130 hexagon head	A2-70
5. Crossbar	A2
6. Washer M8	A2
7. Prevailing torque nut M8	A2

**Reference nos. and nominal dimensions**

AVK ref. nos.	D1 mm	D2 mm	D3 mm	D4 mm	D5 mm	D6 mm	H mm	Weight box in kg	Weight lid in kg	Total weight in kg
80-32-2040008	145	76	124	200	108	120	232	1.4	0.4	1.8

For other variants different item numbers apply  
Dimensions are subject to tolerances