



## AVK SURFACE BOX PURBRA HD-GG

80/41  
000



Fixed height  
Surface box for underground hydrants  
Standard inscription plate: HYDRANT



### Type

- Purbra HD-GG
- Rectangular cast iron lid
- Rectangular top surface box



### Features

- Lightweight, user-friendly, silent and maintenance free
- 100% recyclable and significantly less use of resources compared to traditional materials
- Manufactured out of high grade recycled materials
- Ribs in housing ensure optimal fixation in road foundation
- Selected materials for housing and lid ensure easy opening at all times
- Heat resistant to max. 160 °C
- Suitable for low-temperature applications
- B125 load bearing capacity

### Optional

- Various colours and lid inscriptions possible
- Use of a Flexdrain around the hydrant prevents dirt to block the drain pipe, ensuring optimal operation

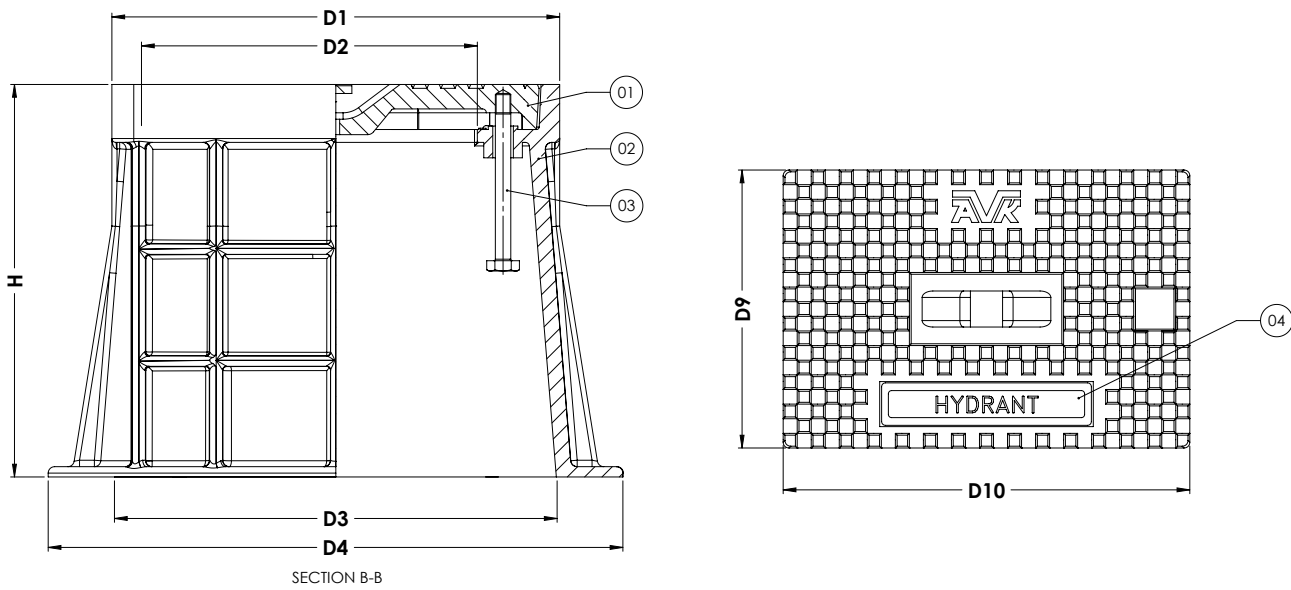
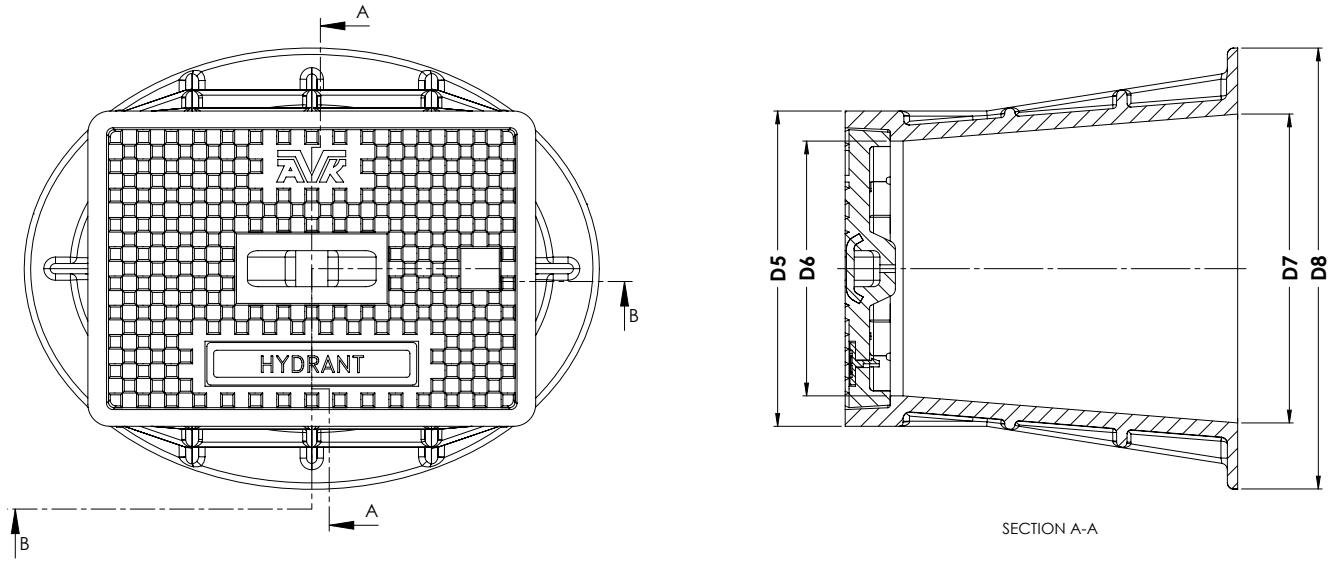
### Accessories

- Support tile III
- Top frame hydrant Purbra



24.9 kg  
CO<sub>2</sub> eq.

Expect... **AVR**



**Component list**

1. Lid	EN-GJL-200
2. Housing	HDPE
3. Bolt M12x130mm hexagon head	A2-70
4. Inscription plate	PA

**Reference nos. and nominal dimensions**

AVK ref. nos.	D1 mm	D2 mm	D3 mm	D4 mm	D5 mm	D6 mm	D7 mm	D8 mm	D9 mm	D10 mm	H mm
80-41-0000022	348	261	344	447	245	198	240	343	216	316	305
	Weight box in kg	Weight lid in kg	Total weight in kg								
	4.6	9.5	14.1								

For other variants different item numbers apply  
Dimensions are subject to tolerances