



## AVK SURFACE BOX H-4055VB HD-GG

80/30  
400



Height adjustable with reinforced rim  
Surface box for underground hydrants  
Standard lid inscription: HYDRANT



### Type

- H-4055VB HD-GG
- Oval cast iron lid
- Oval top surface box



### Features

- Lightweight, user-friendly, silent and maintenance free
- 100% recyclable and significantly less use of resources compared to traditional materials
- Manufactured out of high grade recycled materials
- Ribs in housing ensure optimal fixation in road foundation
- Selected materials for housing and lid ensure easy opening at all times
- Heat resistant to max. 250 °C
- Suitable for low-temperature applications
- Large height range and flexible positioning of top part
- No height adjustment needed after installation, saving time and costs
- Floating top part following road settlement ensuring perfect alignment at all times
- O-ring only to be used for determining final position of top part
- Reinforced rim ensures better support of top part
- Strong rim makes product suitable for heavy duty application areas
- D400 load bearing capacity

### Optional

- Spring around bolt ensuring lid will stay in its place
- Various colours and lid inscriptions possible
- Available as lockable version making the surface box tamperproof
- Use of a Flexdrain around the hydrant prevents dirt to block the drain pipe, ensuring optimal operation

### Standards

- Design derived from DIN 4055
- DVGW VP 310-2

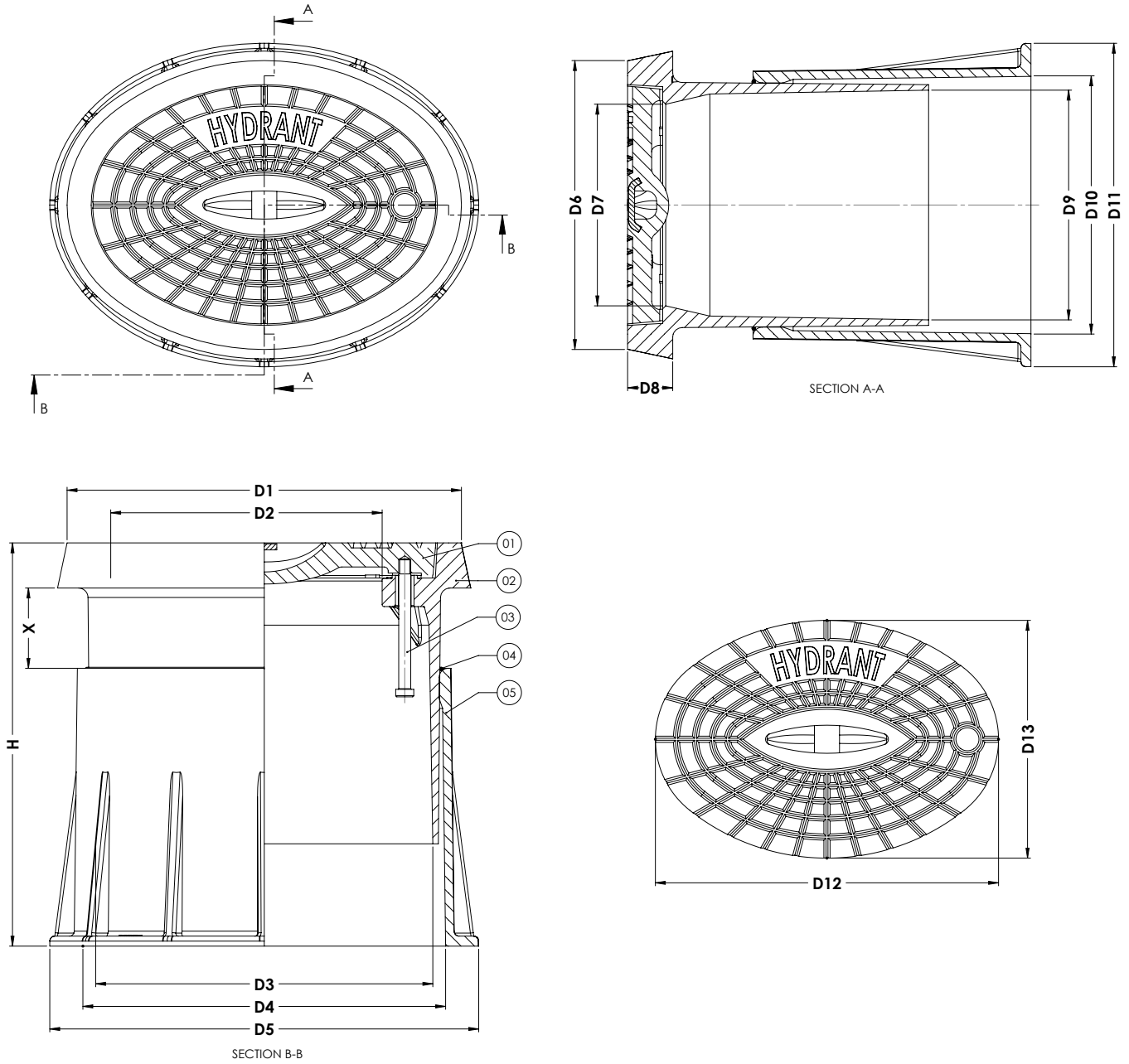
### Accessories

- Support tile II



31.8 kg  
CO<sub>2</sub> eq.

Expect... **AVR**



**Component list**

1. Lid	EN-GJL-200
2. Housing top part	PA+
3. Bolt M12x130 hexagon socket head	A2-70
4. O-ring	EPDM
5. Housing bottom part	PA+

**Reference nos. and nominal dimensions**

AVK ref. nos.	D1 mm	D2 mm	D3 mm	D4 mm	D5 mm	D6 mm	D7 mm	D8 mm	D9 mm	D10 mm
80-30-4000000	393	271	336	362	428	288	201	44	229	258
	D11 mm	D12 mm	D13 mm	H mm	X mm	Weight box in kg	Weight lid in kg	Total weight in kg		
	323	342	237	400-535	80-215	7.0	11.0	18.0		

For other variants different item numbers apply  
 Dimensions are subject to tolerances