



## AVK FLEXDRAIN LOW DRAIN POINT (LDP)

80/60  
004



AVK Flexdrains for underground hydrants DN80 and DN100.  
Ensures optimal flow of drain water.



### Types

- Full Size flexdrain  
CO Ø145 mm  
One strong hinged piece

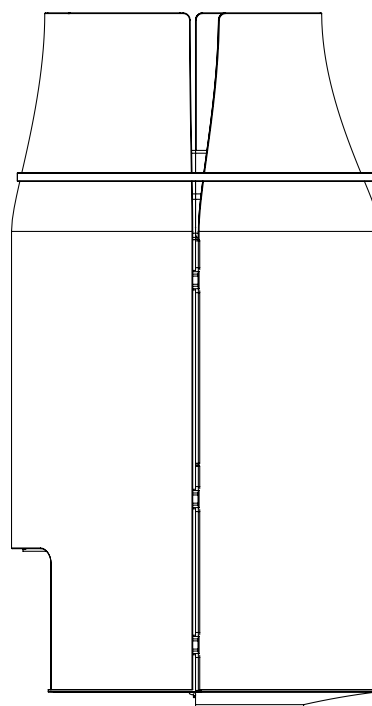
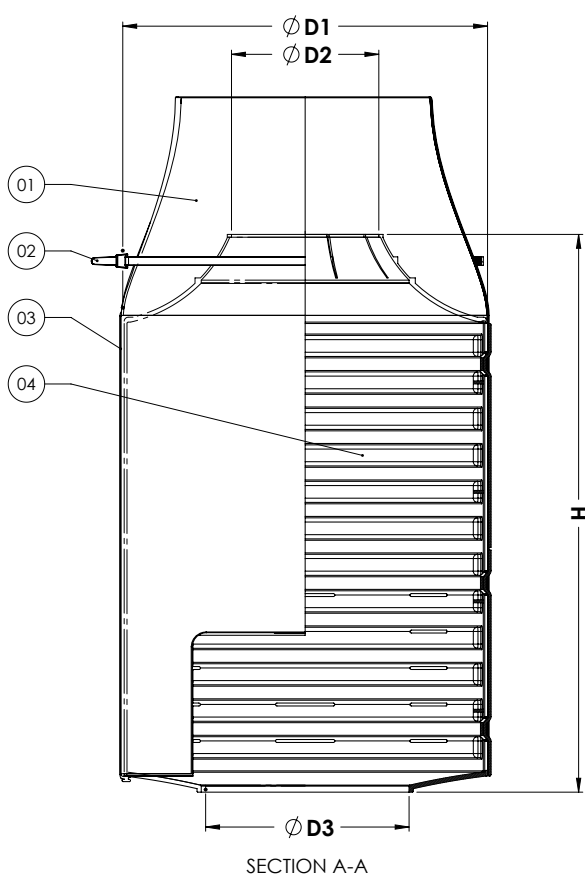
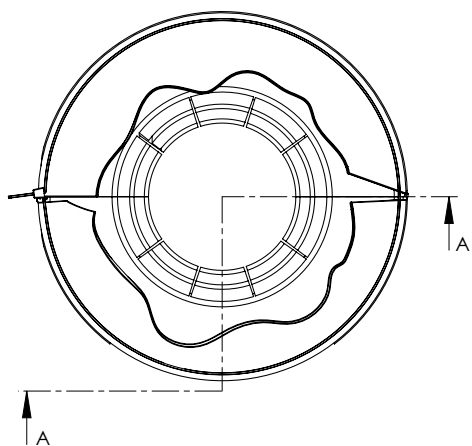


### Features

- Easy installation with snap closure, no tools required and low weight
- Prevent ingress of dirt and vegetation growth in the drainage area
- Durable; One strong hinged piece, strong hinge and solid edges
- Environmentally friendly materials; 100% recyclable
- Drainage fleece conforming EN13252
- Universal application



Expect... **AVR**



**Component list**

1. Drainage fleece	Polyester spunbound geotextile
2. Tie-wrap	Nylon 6/10
3. Rubberband	
4. Body	PP

**Reference nos. and nominal dimensions**

AVK ref. nos.	D1 mm	D2 mm	D3 mm	H mm	Total weight in kg
80-60-00004	260	105	145	395	0.7