



AVK SUPPORT TILE TYPE 4

80/46
015



AVK support tile for service connection valves



Types

- Type 4
- Square synthetic tile

The support tile Type 4 is suitable for surface boxes: DIN4057, DIN4059; Purdie, Normpot

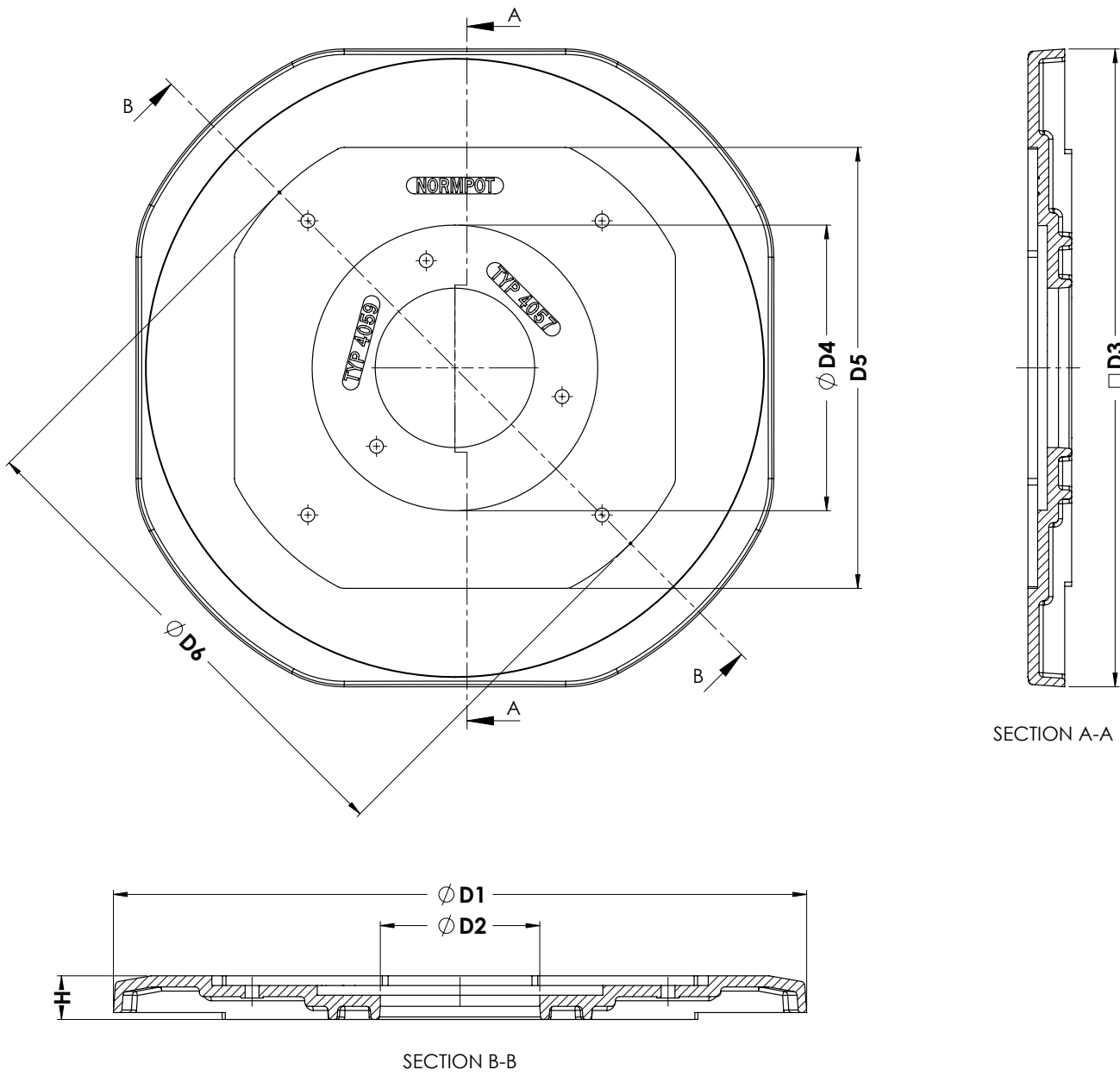


Features

- Support tiles will increase support surface in weak soils
- 100% recyclable



Expect... **AVR**



Component list

Support tile	HDPE
--------------	------

Reference nos. and nominal dimensions

AVK ref. nos.	D1 mm	D2 mm	D3 mm	D4 mm	D5 mm	D6 mm	H mm	Total weight in kg
80-46-00015	500	115	460	206	318	358	32	1.6