



## AVK SUPPORT TILE TYPE 1 SI

80/46  
000

AVK support tile for distribution valves and service connection valves

### Types

- Type 1 SI
- Round synthetic tile

The support tile Type 1 SI is suitable for surface boxes: DIN4056, DIN4057, DIN4059, DIN3581, Purdie, Pera

### Features

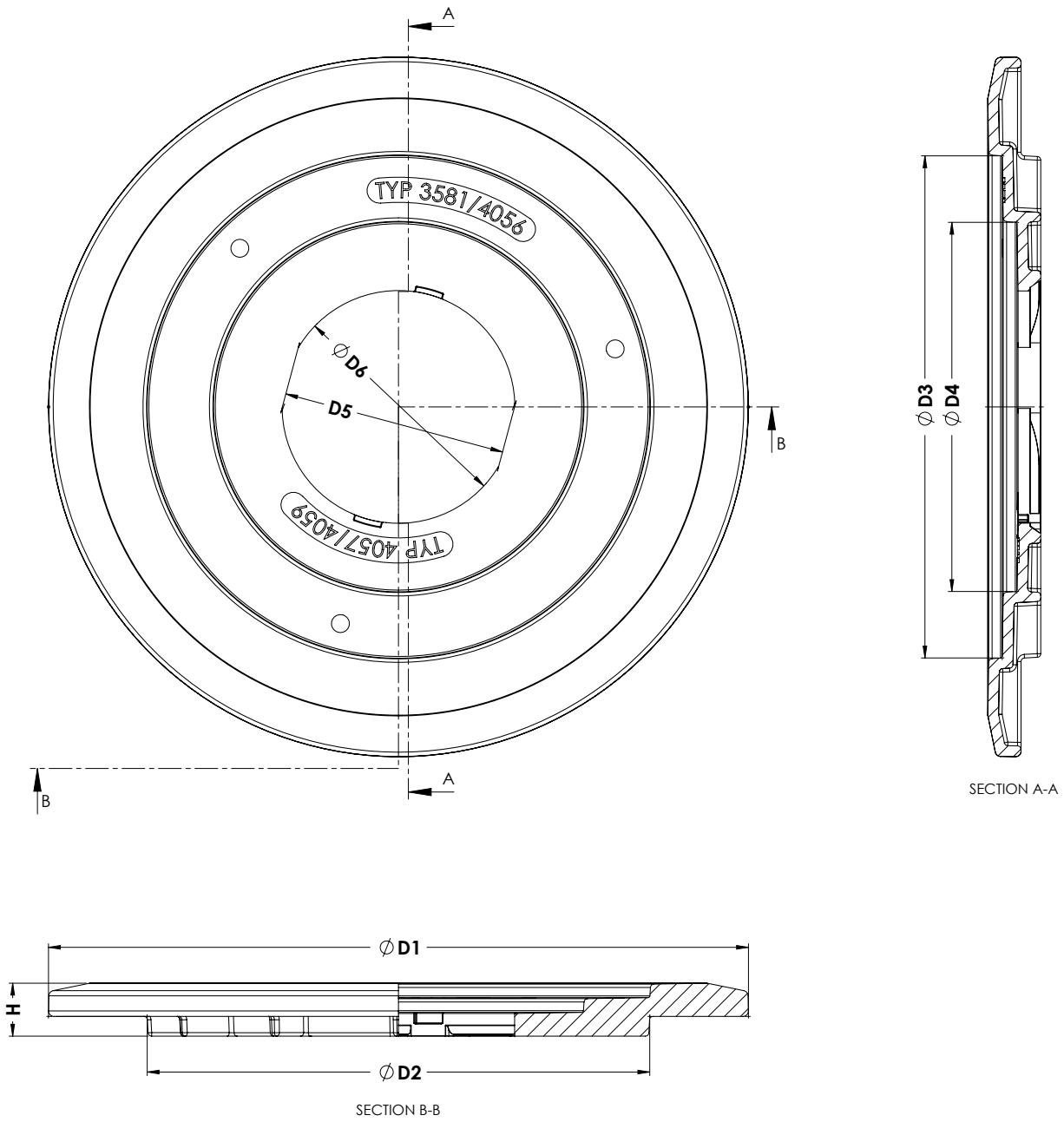
- Support tiles will increase support surface in weak soils
- Available with or without spindle fixation
- 100% recyclable
- Especially suitable in combination with spindle interface for strong fixation of the spindle

### Accessories

- Spindle interface



Expect... **AVR**



**Component list**

Support tile	HDPE
--------------	------

**Reference nos. and nominal dimensions**

AVK ref. nos.	D1 mm	D2 mm	D3 mm	D4 mm	D5 mm	D6 mm	H mm	Total weight in kg
80-46-00003	390	280	280	205	125	130	30	0.7