



## AVK SUPPORT TILE TYPE 1 FSS

80/46  
002

AVK support tile for distribution valves and service connection valves

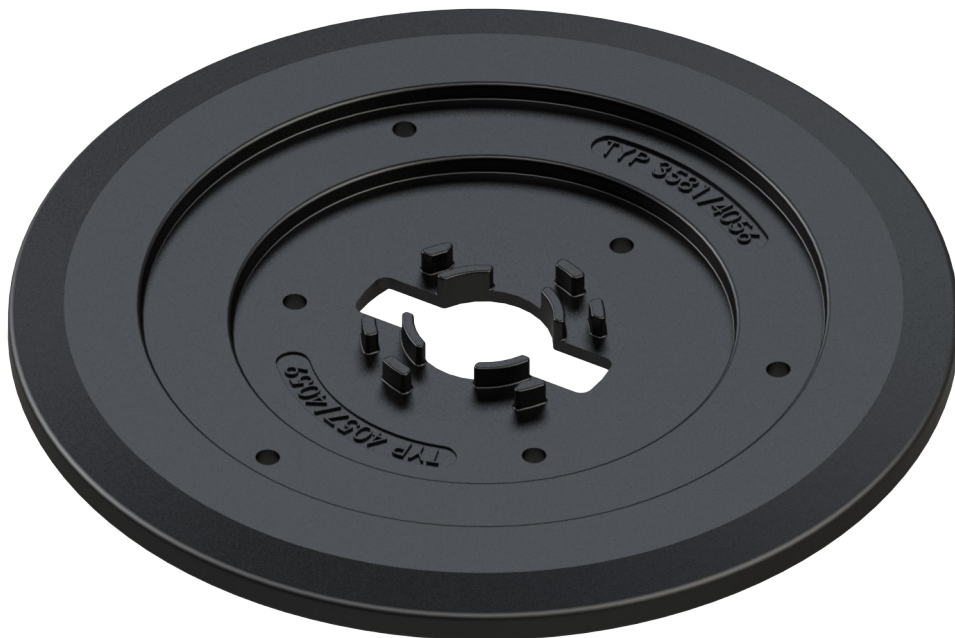
### Types

- Type 1 FSS
  - Round synthetic tile
  - Small spindle fixation

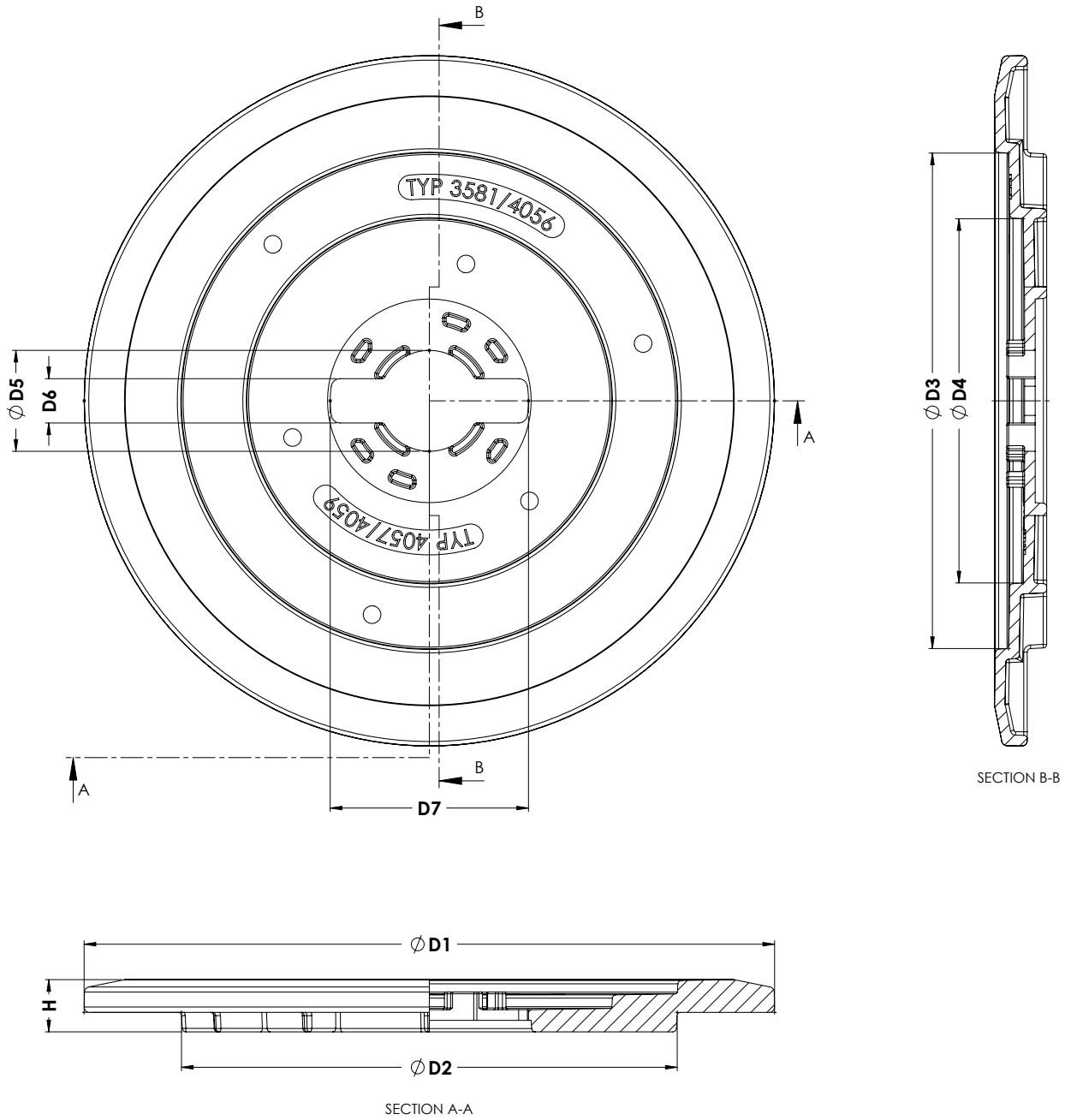
The support tile Type 1 FSS is suitable for surface boxes: DIN4056, DIN4057, DIN4059, DIN3581, Purdie, Pera

### Features

- Support tiles will increase support surface in weak soils
- Available with or without spindle fixation
- 100% recyclable



Expect... **AVR**



**Component list**

|              |      |
|--------------|------|
| Support tile | HDPE |
|--------------|------|

**Reference nos. and nominal dimensions**

| AVK ref. nos. | D1<br>mm | D2<br>mm | D3<br>mm | D4<br>mm | D5<br>mm | D6<br>mm | D7<br>mm | H<br>mm | Total weight<br>in kg |
|---------------|----------|----------|----------|----------|----------|----------|----------|---------|-----------------------|
| 80-46-00002   | 390      | 280      | 280      | 205      | 57       | 25       | 112      | 30      | 0.9                   |