



AVK SURFACE BOX SURFACE BOX MP LD-KU

80/22
025

Fixed height
Surface box for service connection valves
Standard inscription: AVK W

Type

- Surface Box MP LD-KU
 - Round synthetic lid
 - Round top surface box

Features

- Lightweight, user-friendly, silent and maintenance free
- 100% recyclable and significantly less use of resources compared to traditional materials
- Manufactured out of high grade recycled materials
- Selected materials for housing and lid ensure easy opening at all times
- Heat resistant to max. 250 °C
- Suitable for low-temperature applications
- Limited installation depth required
- Click system ensuring lid will stay in place
- Galvanized steel cable connection between lid and surface box
- Lid material discourages thieves; no value in stealing
- Synthetic lid enables signal transmission
- Acceptance and fixation of down pipes Ø 75, 90, 98, 110 and 118mm directly in surface box
- B125 load bearing capacity

Optional

- Various colours and lid inscriptions possible

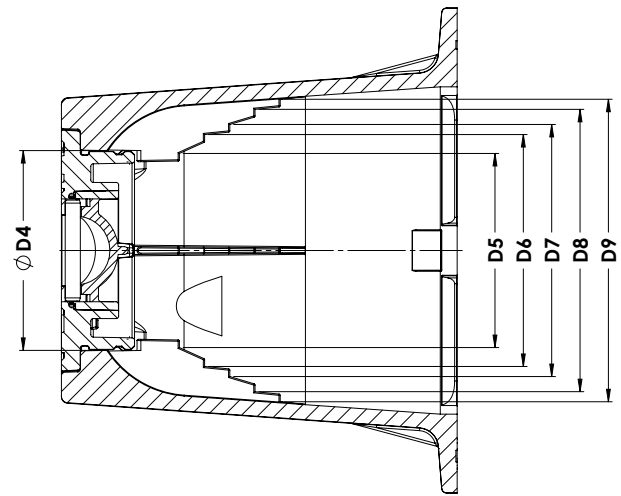
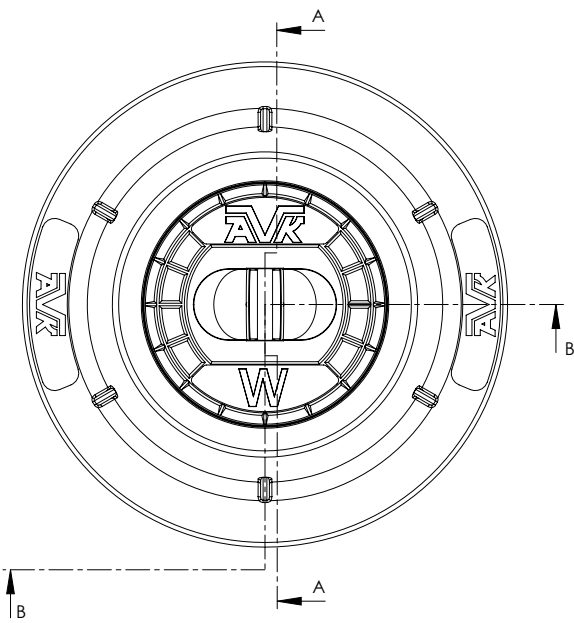
Accessories

- Support tile I

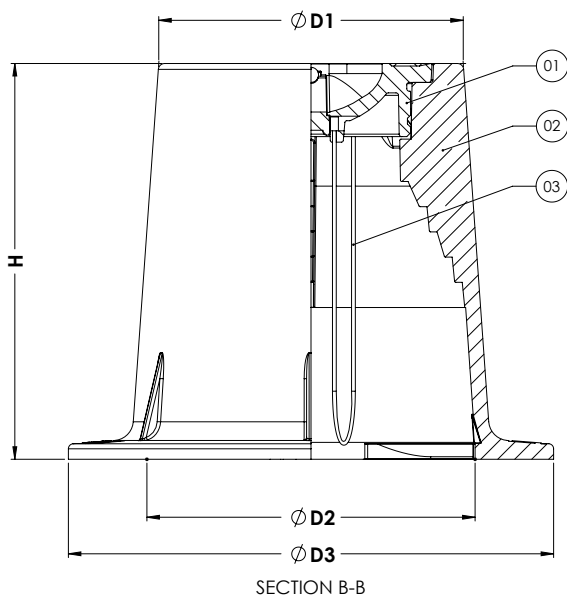


1.2 kg
CO₂ eq.

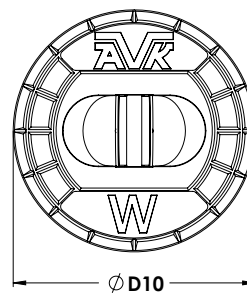
Expect... **AVR**



SECTION A-A



SECTION B-B



Component list

1. Lid	PA+
2. Housing	PA+
3. Cable	Galvanized steel

Reference nos. and nominal dimensions

AVK ref. nos.	D1 mm	D2 mm	D3 mm	D4 mm	D5 mm	D6 mm	D7 mm	D8 mm	D9 mm	D10 mm	H mm
80-22-0250000	121	130	193	80	77	92	100	112	120	96	157
	Weight box in kg	Weight lid in kg	Total weight in kg								
	0.6	0.1	0.7								

For other variants different item numbers apply
 Dimensions are subject to tolerances