



AVK SURFACE BOX PURDIE HD-GG

80/42
000



Fixed height
Surface box for service connection valves
Standard inscription plate: WATER



Type

- Purdie HD-GG
 - Square cast iron lid
 - Square top surface box



Features

- Lightweight, user-friendly, silent and maintenance free
- 100% recyclable and significantly less use of resources compared to traditional materials
- Manufactured out of high grade recycled materials
- Ribs in housing ensure optimal fixation in road foundation
- Selected materials for housing and lid ensure easy opening at all times
- Heat resistant to max. 160 °C
- Suitable for low-temperature applications
- B125 load bearing capacity

Optional

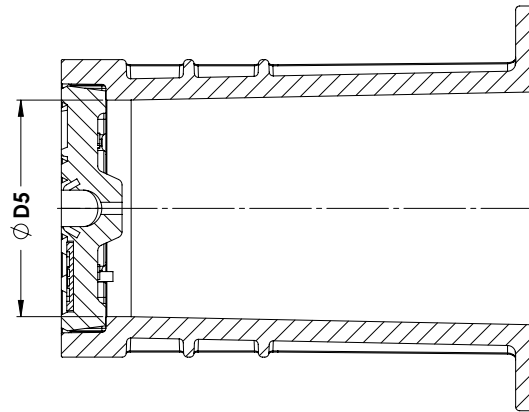
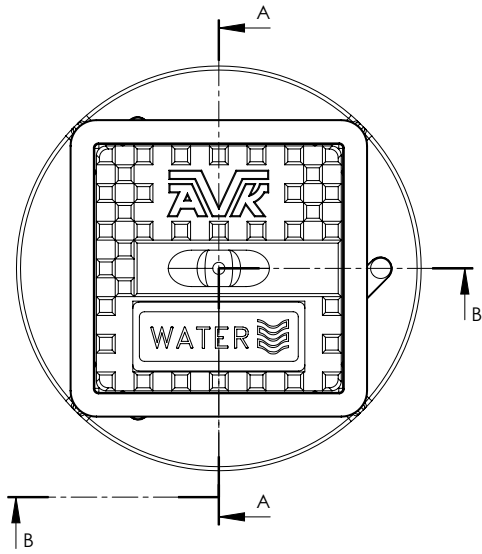
- Various colours and lid inscriptions possible

Accessories

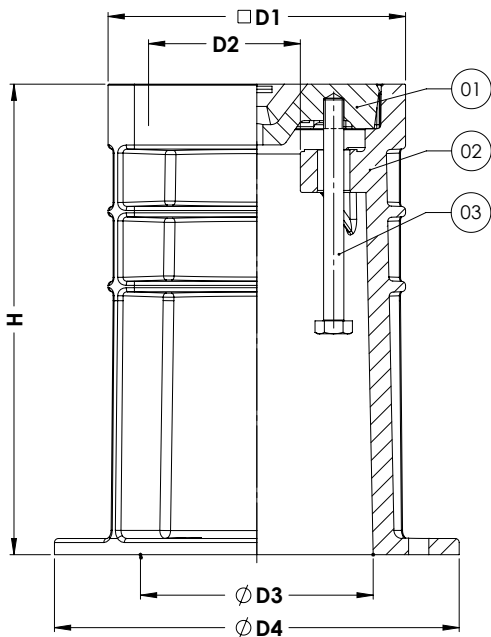
- Support tile I
- Top frame service connection
- Transition piece I



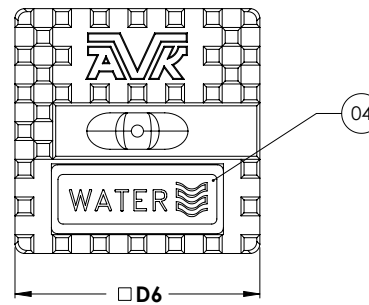
Expect... **AVR**



SECTION A-A



SECTION B-B



Component list

1. Lid	EN-GJL-200
2. Housing	HDPE
3. Bolt M10x110mm hexagon head	A2-70
4. Inscription plate	PA

Reference nos. and nominal dimensions

AVK ref. nos.	D1 mm	D2 mm	D3 mm	D4 mm	D5 mm	D6 mm	H mm	Weight box in kg	Weight lid in kg	Total weight in kg
80-42-0000001	146	75	114	200	106	121	233	1.3	1.7	3.0

For other variants different item numbers apply
Dimensions are subject to tolerances