



AVK SURFACE BOX NORMPOT AFSLUITER H HD-GG

80/43
600



Fixed height
Surface box for distribution valves
Standard lid inscription: W water logo



- Normpot Afsluiter H HD-GG
 - Round cast iron lid
 - Hexagonal top surface box



Features

- Lightweight, user-friendly, silent and maintenance free
- 100% recyclable and significantly less use of resources compared to traditional materials
- Manufactured out of high grade recycled materials
- Selected materials for housing and lid ensure easy opening at all times
- Heat resistant to max. 250 °C
- Suitable for low-temperature applications
- C250 load bearing capacity

Optional

- Various colours and lid inscriptions possible

Standards

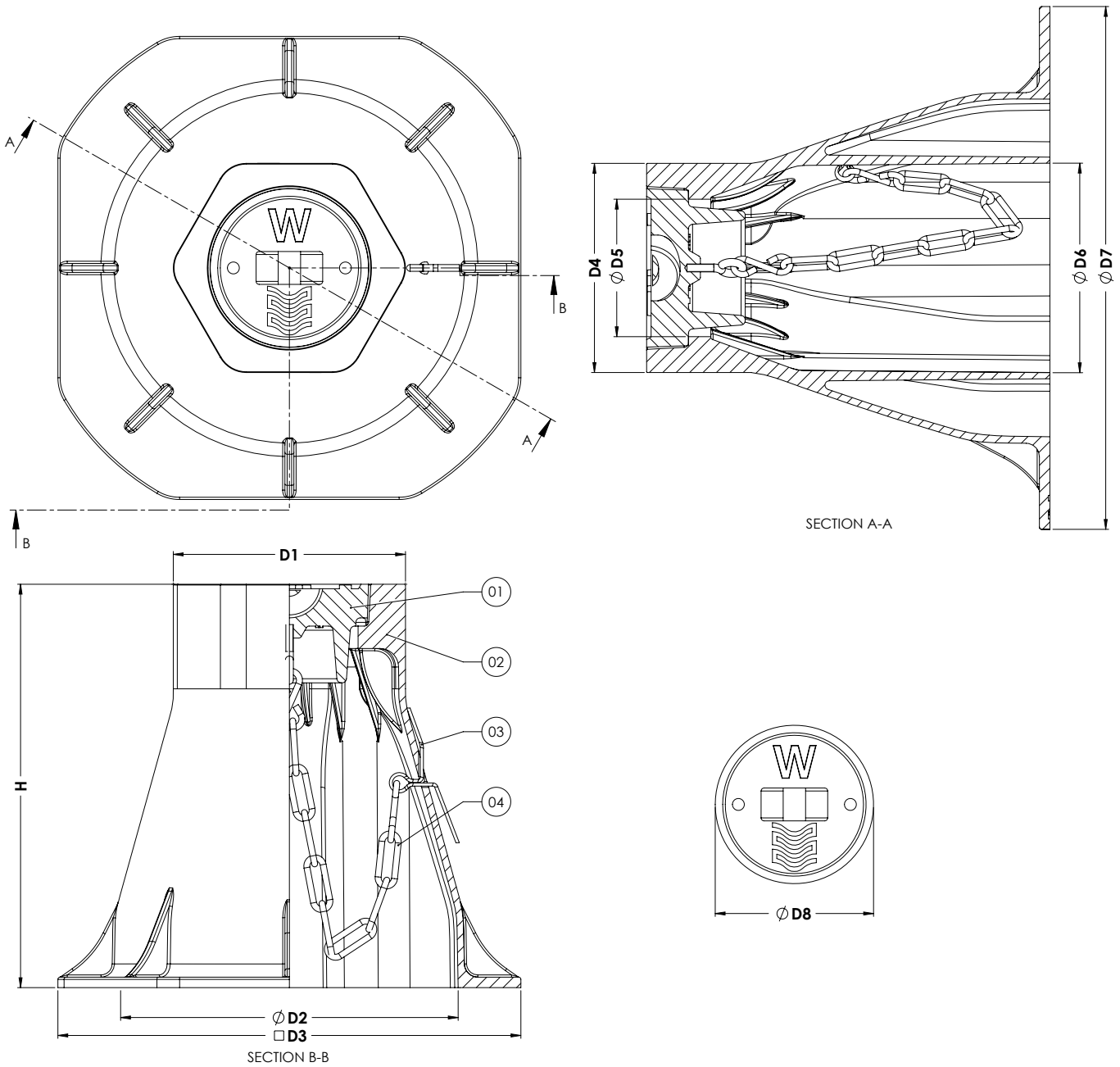
- T.V./072/3-E

Accessories

- Support tile IV



Expect... **AVR**



Component list

1. Lid	EN-GJL-200
2. Housing	PA+
3. Split pin	Brass
4. Chain	Galvanized steel

Reference nos. and nominal dimensions

AVK ref. nos.	D1 mm	D2 mm	D3 mm	D4 mm	D5 mm	D6 mm	D7 mm	D8 mm	H mm
80-43-6000000	155	226	310	140	92	140	350	106	270
	Weight box in kg	Weight lid in kg	Total weight in kg						
	2.2	2.1	4.3						

For other variants different item numbers apply
 Dimensions are subject to tolerances