



## AVK SURFACE BOX M-4055P MD-GG

80/30  
211

Fixed height  
Special model for pavement  
Surface box for underground hydrants  
Standard lid inscription: AVK HYDRANT

### Type

- M-4055P MD-GG
- Oval cast iron lid
- Rectangular top surface box

### Features

- Lightweight, user-friendly, silent and maintenance free
- 100% recyclable and significantly less use of resources compared to traditional materials
- Manufactured out of high grade recycled materials
- Ribs in housing ensure optimal fixation in road foundation
- Selected materials for housing and lid ensure easy opening at all times
- Heat resistant to max. 250 °C
- Suitable for low-temperature applications
- Locking clip around the bolt ensuring lid will stay in its place
- Due to rectangular top ideal solution for pavement installation
- B125 load bearing capacity

### Optional

- Various colours and lid inscriptions possible
- Available as lockable version making the surface box tamperproof
- Use of a Flexdrain around the hydrant prevents dirt to block the drain pipe, ensuring optimal operation

### Standards

- Design derived from DIN 4055
- DVGW VP 310-2

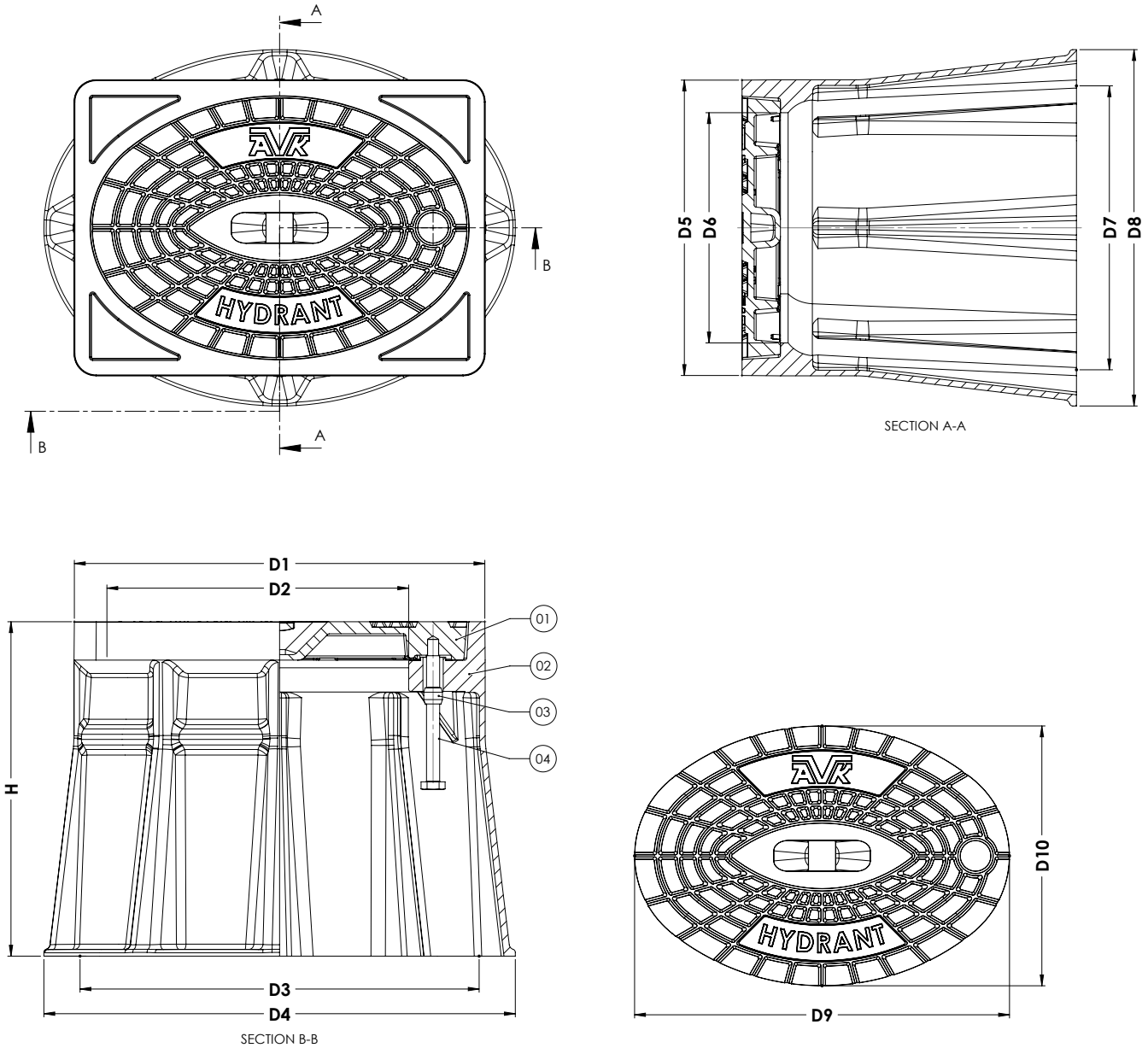
### Accessories

- Support tile II
- Top frame hydrant 4055P



19.9 kg  
CO<sub>2</sub> eq.

Expect... **AVR**



**Component list**

1. Lid	EN-GJL-200
2. Housing	PA+
3. Locking clip	PP
4. Notched bolt M12x130 hexagon head	A2-70

**Reference nos. and nominal dimensions**

AVK ref. nos.	D1 mm	D2 mm	D3 mm	D4 mm	D5 mm	D6 mm	D7 mm	D8 mm	D9 mm	D10 mm
80-30-2110002	374	275	364	430	270	210	260	325	342	237
	H mm	Weight box in kg	Weight lid in kg	Total weight in kg						
	305	3.9	7.1	11.0						

For other variants different item numbers apply  
Dimensions are subject to tolerances