



AVK SURFACE BOX H-3582V HD-GG

80/35
100

Height adjustable
Surface box for distribution valves and district heating
Standard lid inscription: GAS

Type

- H-3582V HD-GG
 - Square cast iron lid
 - Square top surface box

Features

- Lightweight, user-friendly, silent and maintenance free
- 100% recyclable and significantly less use of resources compared to traditional materials
- Manufactured out of high grade recycled materials
- Ribs in housing ensure optimal fixation in road foundation
- Selected materials for housing and lid ensure easy opening at all times
- Heat resistant to max. 250 °C
- Suitable for low-temperature applications
- Large height range and flexible positioning of top part
- Inscription in lid to be positioned easily
- No height adjustment needed after installation, saving time and costs
- Floating top part following road settlement ensuring perfect alignment at all times
- D400 load bearing capacity

Optional

- Various colours and lid inscriptions possible
- Available as lockable version making the surface box tamperproof

Standards

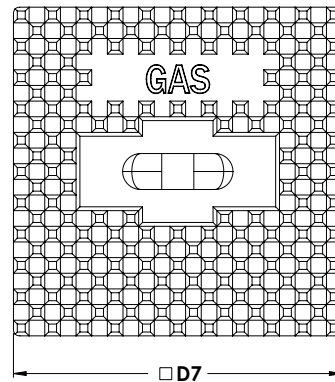
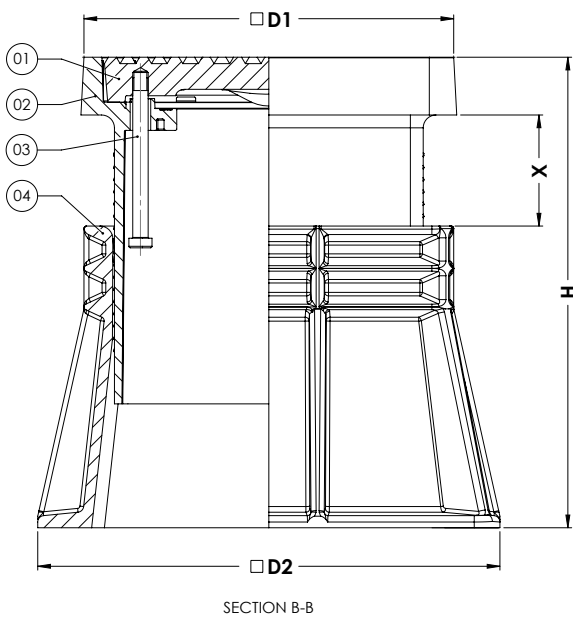
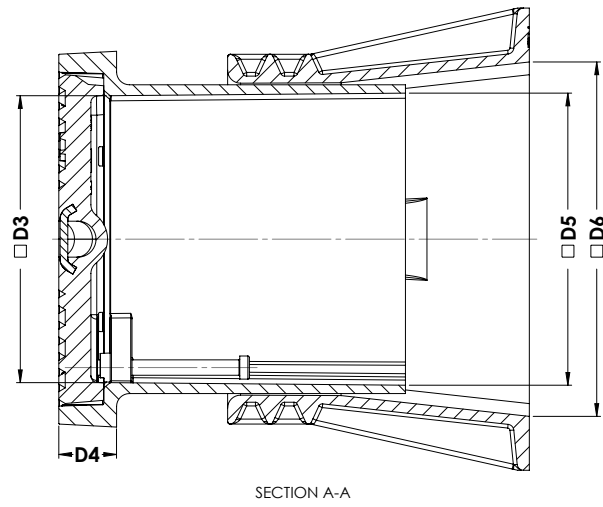
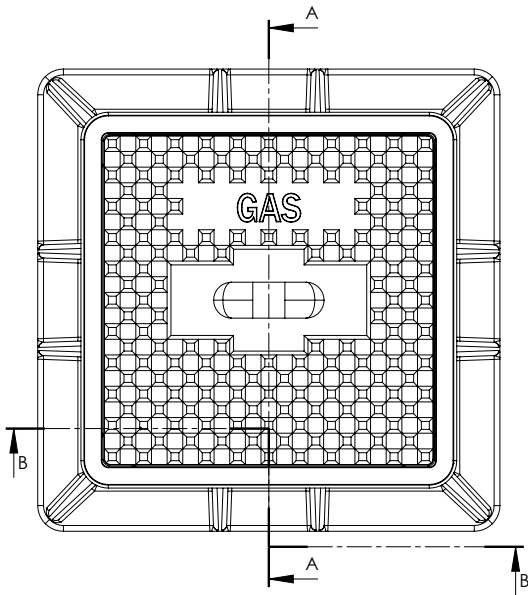
- Design according to DIN 3582
- DVGW VP 310-2
- DVGW approval, certificate DG-4531BQ5726

Accessories

- Support tile II



Expect... **AVR**



Component list

1. Lid	EN-GJL-200
2. Housing top part	PA+
3. Bolt M12x130 hexagon socket head	A2-70
4. Housing bottom part	PA+

Reference nos. and nominal dimensions

AVK ref. nos.	D1 mm	D2 mm	D3 mm	D4 mm	D5 mm	D6 mm	D7 mm	H mm	X mm
80-35-1000002	288	360	222	45	226	276	256	405-475	80-150
	Weight box in kg	Weight lid in kg	Total weight in kg						
	6.8	10.9	17.7						

For other variants different item numbers apply
Dimensions are subject to tolerances