



AVK SURFACE BOX H-3582 HD-GG

80/35
000

Fixed height
Surface box for distribution valves and district heating
Standard lid inscription: GAS

Type

- H-3582 HD-GG
- Square cast iron lid
- Square top surface box

Features

- Lightweight, user-friendly, silent and maintenance free
- 100% recyclable and significantly less use of resources compared to traditional materials
- Manufactured out of high grade recycled materials
- Ribs in housing ensure optimal fixation in road foundation
- Selected materials for housing and lid ensure easy opening at all times
- Heat resistant to max. 250 °C
- Suitable for low-temperature applications
- D400 load bearing capacity

Optional

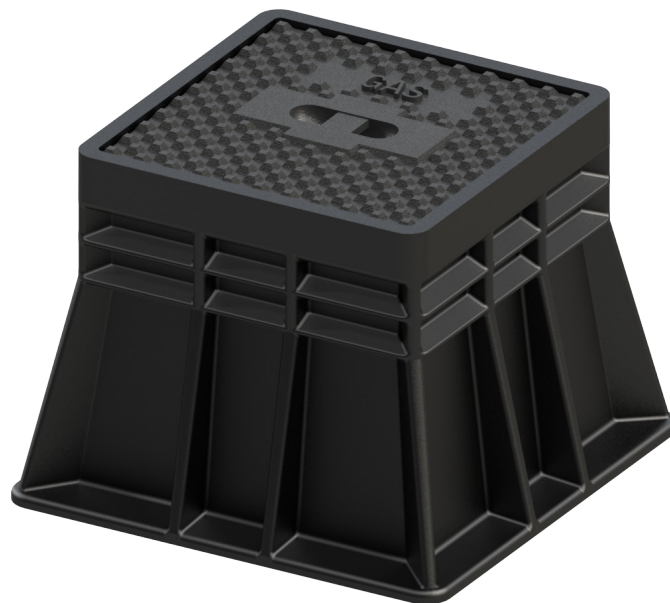
- Various colours and lid inscriptions possible
- Available as lockable version making the surface box tamperproof

Standards

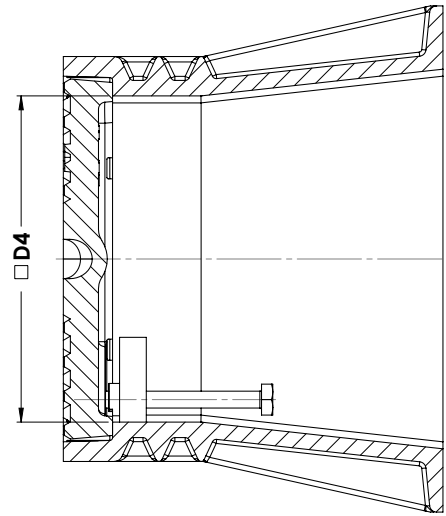
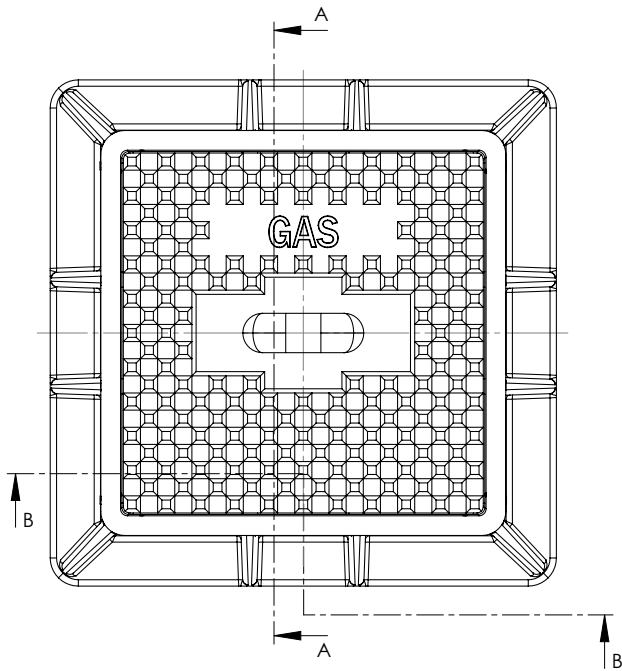
- Design according to DIN 3582
- DVGW VP 310-2
- DVGW approval, certificate DG-4531BQ0193

Accessories

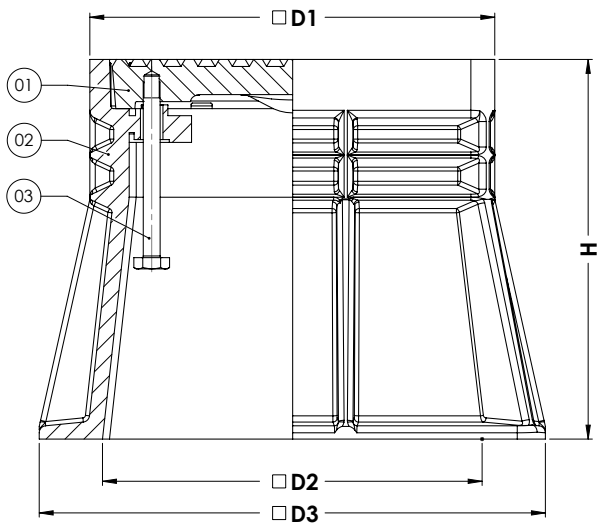
- Support tile II



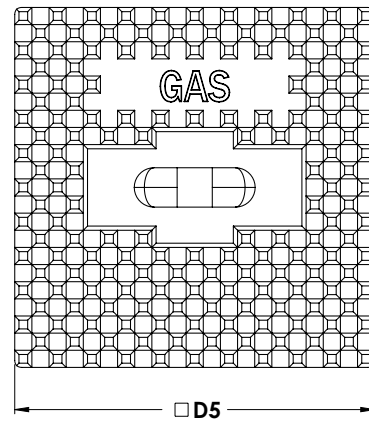
Expect... **AVR**



SECTION A-A



SECTION B-B



Component list

1. Lid	EN-GJL-200
2. Housing	PA+
3. Bolt M12x130 hexagon head	A2-70

Reference nos. and nominal dimensions

AVK ref. nos.	D1 mm	D2 mm	D3 mm	D4 mm	D5 mm	H mm	Weight box in kg	Weight lid in kg	Total weight in kg
80-35-0000004	288	270	360	232	256	270	5.7	10.9	16.6

For other variants different item numbers apply
Dimensions are subject to tolerances