



AVK SURFACE BOX H-3581 HD-GG

80/34
000

Fixed height
Surface box for distribution valves
Standard lid inscription: GAS with symbol "-" / "+" / "□"

Type

- H-3581 HD-GG
- Square cast iron lid
- Square top surface box

Features

- Lightweight, user-friendly, silent and maintenance free
- 100% recyclable and significantly less use of resources compared to traditional materials
- Manufactured out of high grade recycled materials
- Ribs in housing ensure optimal fixation in road foundation
- Selected materials for housing and lid ensure easy opening at all times
- Heat resistant to max. 250 °C
- Suitable for low-temperature applications
- D400 load bearing capacity

Optional

- Spring around bolt ensuring lid will stay in its place
- Various colours and lid inscriptions possible

Standards

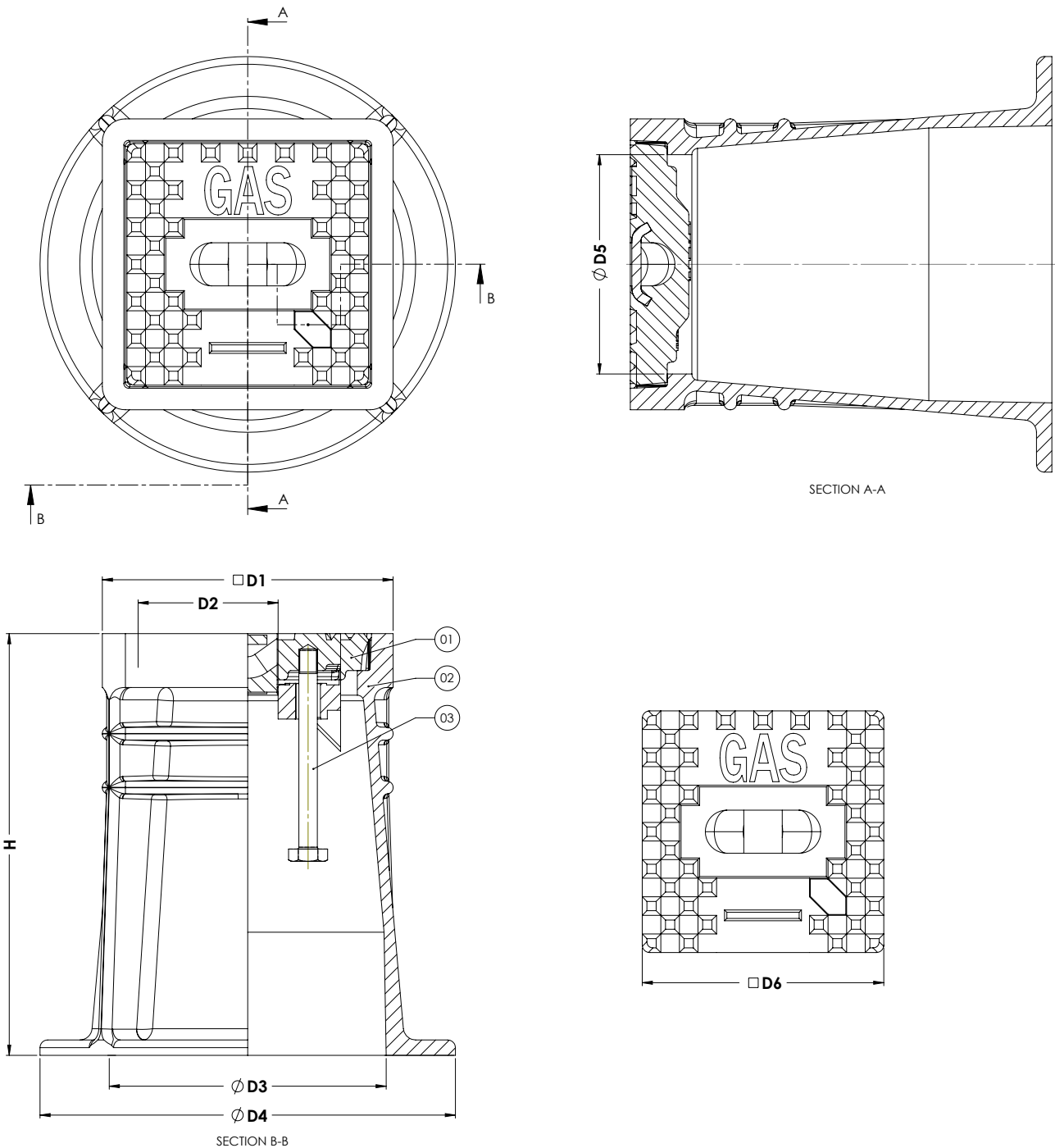
- Design according to DIN 3581
- DVGW VP 310-2
- DVGW approval, certificate DG-4531BP0133

Accessories

- Support tile I
- Top frame gate valve



Expect... **AVR**



Component list

1. Lid	EN-GJL-250
2. Housing	PA+
3. Bolt M12x130 hexagon head	A2-70

Reference nos. and nominal dimensions

AVK ref. nos.	D1 mm	D2 mm	D3 mm	D4 mm	D5 mm	D6 mm	H mm	Weight box in kg	Weight lid in kg	Total weight in kg
80-34-0000000	189	107	180	270	142	157	274	2.6	4.1	6.7

For other variants different item numbers apply
Dimensions are subject to tolerances