



## AVK SURFACE BOX H-4057VB HD-GG

80/32  
400

Height adjustable with reinforced rim  
Surface box for service connection valves  
Standard lid inscription: W

### Type

- H-4057VB HD-GG
  - Round cast iron lid
  - Round top surface box

### Features

- Lightweight, user-friendly, silent and maintenance free
- 100% recyclable and significantly less use of resources compared to traditional materials
- Manufactured out of high grade recycled materials
- Ribs in housing ensure optimal fixation in road foundation
- Selected materials for housing and lid ensure easy opening at all times
- Heat resistant to max. 250 °C
- Suitable for low-temperature applications
- Large height range and flexible positioning of top part
- Inscription in lid to be positioned easily
- No height adjustment needed after installation, saving time and costs
- Floating top part following road settlement ensuring perfect alignment at all times
- O-ring only to be used for determining final position of top part
- Reinforced rim ensures better support of top part
- Strong rim makes product suitable for heavy duty application areas
- D400 load bearing capacity

### Optional

- Available as lockable version making the surface box tamperproof
- Various colours and lid inscriptions possible
- Spring around bolt ensuring lid will stay in its place

### Standards

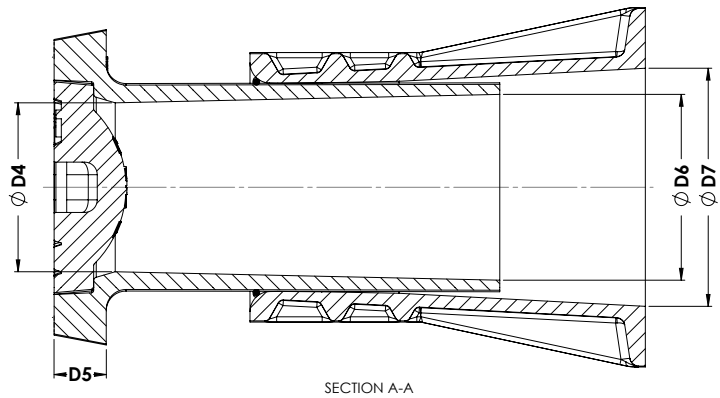
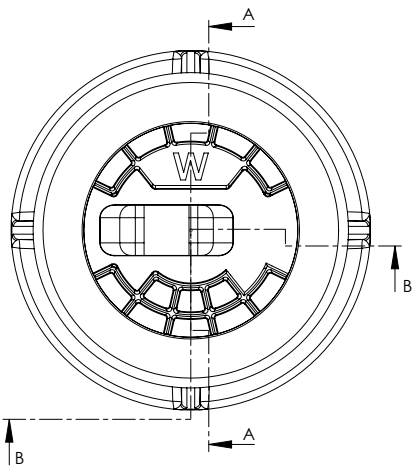
- Design derived from DIN 4057
- DVGW VP 310-2

### Accessories

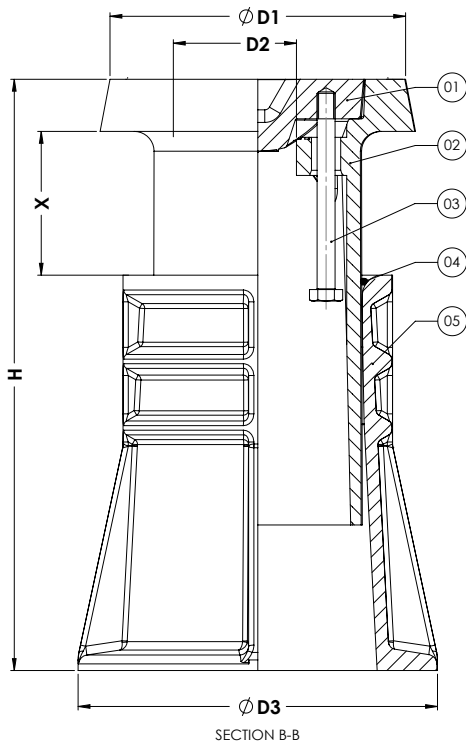
- Support tile I



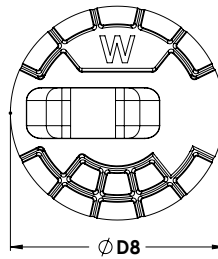
Expect... **AVR**



SECTION A-A



SECTION B-B



**Component list**

1. Lid	EN-GJL-250
2. Housing top part	PA+
3. Bolt M10x110 hexagon head	A2-70
4. O-ring	EPDM
5. Housing bottom part	PA+

**Reference nos. and nominal dimensions**

AVK ref. nos.	D1 mm	D2 mm	D3 mm	D4 mm	D5 mm	D6 mm	D7 mm	D8 mm	H mm	X mm
80-32-4000000	165	68	200	94	29	103	132	120	330-430	80-180
	Weight box in kg	Weight lid in kg	Total weight in kg							
	2.2	1.8	4.0							

For other variants different item numbers apply  
 Dimensions are subject to tolerances