



AVK SURFACE BOX H-4056-2V HD-GG

80/39
100

Height adjustable
Surface box for distribution valves
Standard lid inscription: W

Type

- H-4056-2V HD-GG
- Round cast iron lid
- Round top surface box

Features

- Lightweight, user-friendly, silent and maintenance free
- 100% recyclable and significantly less use of resources compared to traditional materials
- Manufactured out of high grade recycled materials
- Ribs in housing ensure optimal fixation in road foundation
- Selected materials for housing and lid ensure easy opening at all times
- Heat resistant to max. 250 °C
- Suitable for low-temperature applications
- Large height range and flexible positioning of top part
- No height adjustment needed after installation, saving time and costs
- Floating top part following road settlement ensuring perfect alignment at all times
- Inscription in lid to be positioned easily
- Ideal solution in combination with 3S Antriebe products: www.3s-antriebe.de
- D400 load bearing capacity

Optional

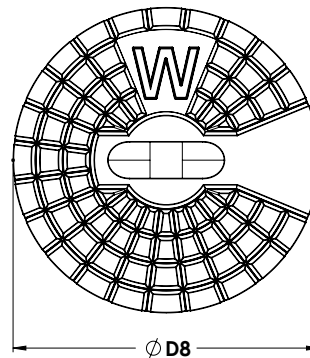
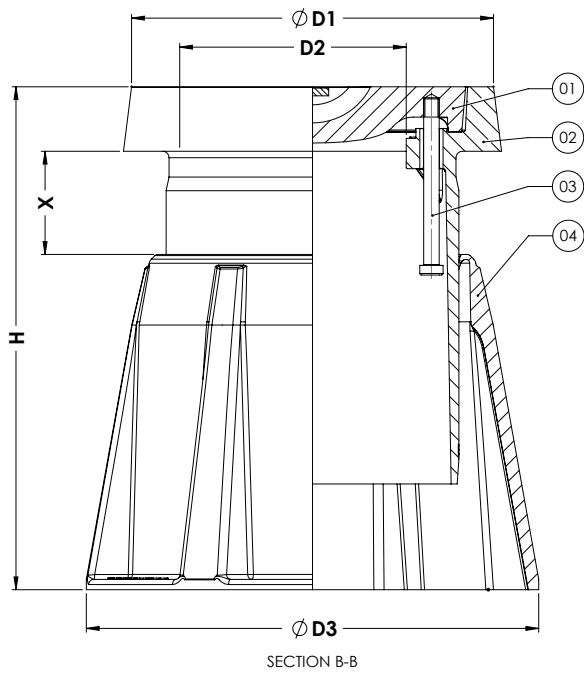
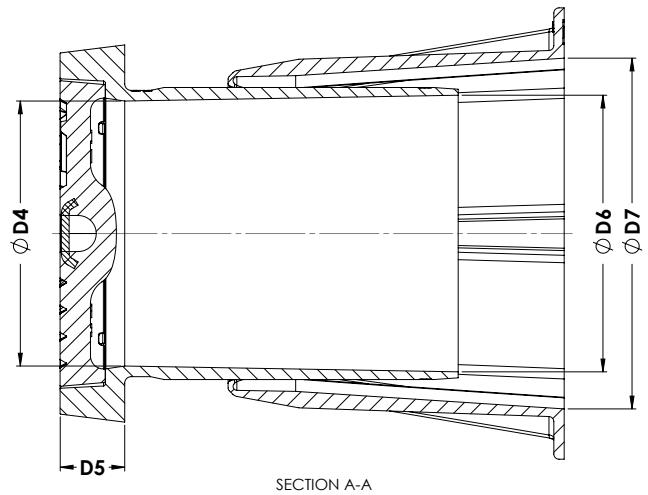
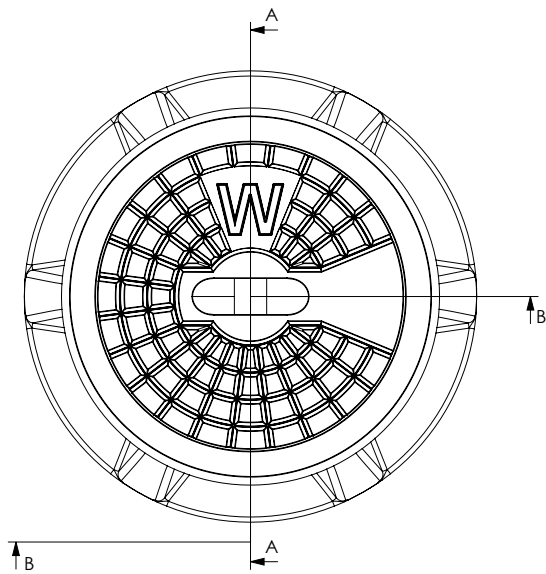
- Spring around bolt ensuring lid will stay in its place
- Various colours and lid inscriptions possible
- Available as lockable version making the surface box tamperproof

Standards

- Design according to DIN 4056V-2
- DVGW VP 310-2
- DVGW approval, certificate DW-6430CQ0202



Expect... **AVR**



Component list

1. Lid	EN-GJL-200
2. Housing top part	PA+
3. Bolt M12x130 hexagon socket head	A2-70
4. Housing bottom part	PA+

Reference nos. and nominal dimensions

AVK ref. nos.	D1 mm	D2 mm	D3 mm	D4 mm	D5 mm	D6 mm	D7 mm	D8 mm	H mm	X mm
80-39-1000000	280	175	350	205	51	214	272	237	390-520	80-210
	Weight box in kg	Weight lid in kg	Total weight in kg							
	4.4	8.0	12.4							

For other variants different item numbers apply
 Dimensions are subject to tolerances