



AVK SURFACE BOX H-4055 HD-GG

80/30
000

Fixed height
Surface box for underground hydrants
Standard lid inscription: HYDRANT

Type

- H-4055 HD-GG
- Oval cast iron lid
- Oval top surface box

Features

- Lightweight, user-friendly, silent and maintenance free
- 100% recyclable and significantly less use of resources compared to traditional materials
- Manufactured out of high grade recycled materials
- Ribs in housing ensure optimal fixation in road foundation
- Selected materials for housing and lid ensure easy opening at all times
- Heat resistant to max. 250 °C
- Suitable for low-temperature applications
- C250 load bearing capacity

Optional

- Spring around bolt ensuring lid will stay in its place
- Various colours and lid inscriptions possible
- Available as lockable version making the surface box tamperproof
- Use of a Flexdrain around the hydrant prevents dirt to block the drain pipe, ensuring optimal operation

Standards

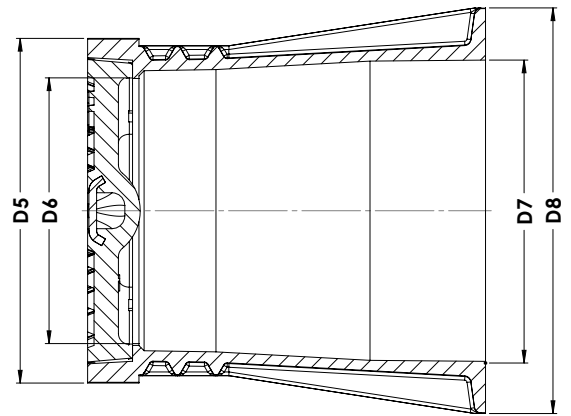
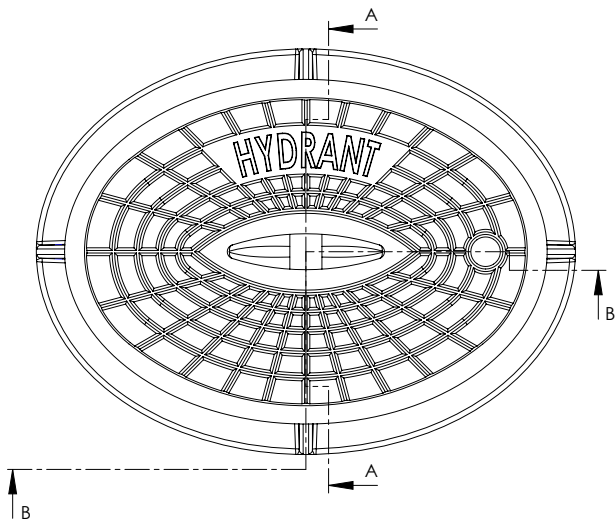
- Design according to DIN 4055
- DVGW VP 310-2
- DVGW approval, certificate DW-6430BP0136

Accessories

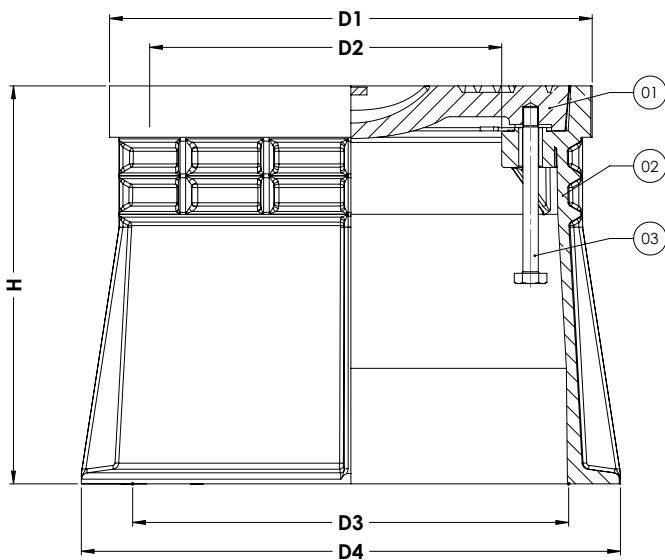
- Support tile II



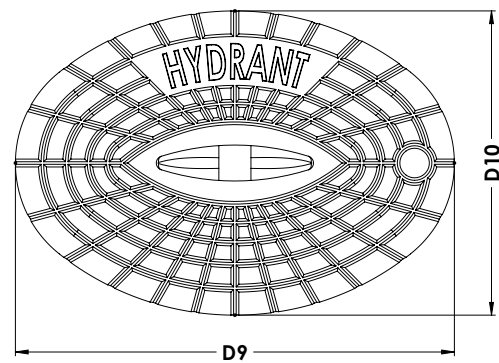
Expect... **AVR**



SECTION A-A



SECTION B-B



Component list

1. Lid	EN-GJL-200
2. Housing	PA+
3. Bolt M12x130 hexagon head	A2-70

Reference nos. and nominal dimensions

AVK ref. nos.	D1 mm	D2 mm	D3 mm	D4 mm	D5 mm	D6 mm	D7 mm	D8 mm	D9 mm	D10 mm	H mm	Weight box in kg	Weight lid in kg	Total weight in kg
80-30-0000000	376	274	340	420	268	207	236	316	342	237	310	4.1	11.0	15.1

For other variants different item numbers apply
Dimensions are subject to tolerances